

# FE40JA

## 天花式全金屬強力工業風扇

- 單速（可配調速器），220 - 240 V. 1 Ph, 50 Hz。
- E 級絕緣，內置恒溫器保護裝置，同步電機搖擺，節能靜音。
- 扇葉採用鋁材板沖壓而成。扇葉均進行嚴謹的平衡工序。
- 密網（網線之間距不多於15mm）外表靜電噴塗，美觀耐用。
- 風扇可360度轉向，並可簡易調校送風角度，立體循環送風。
- 所有銷售型號之風扇均按 IEC60335-2-80 之標準進行測試，並已領有歐盟之安全認證。
- 功率因數（Power Factor）=0.97。

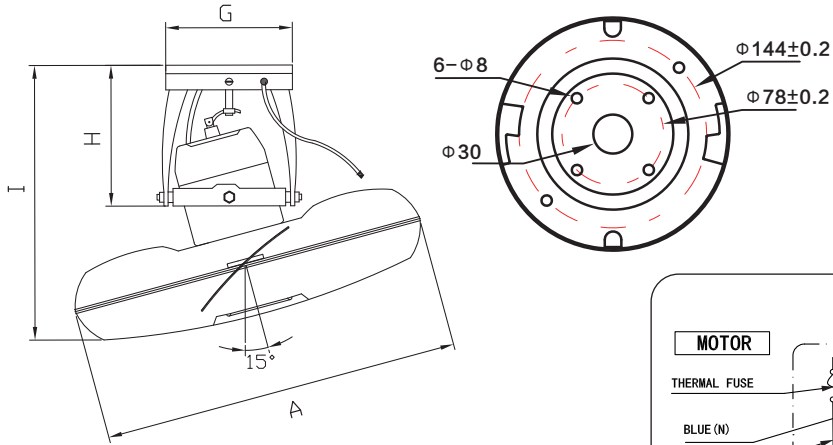


### 性能參數表

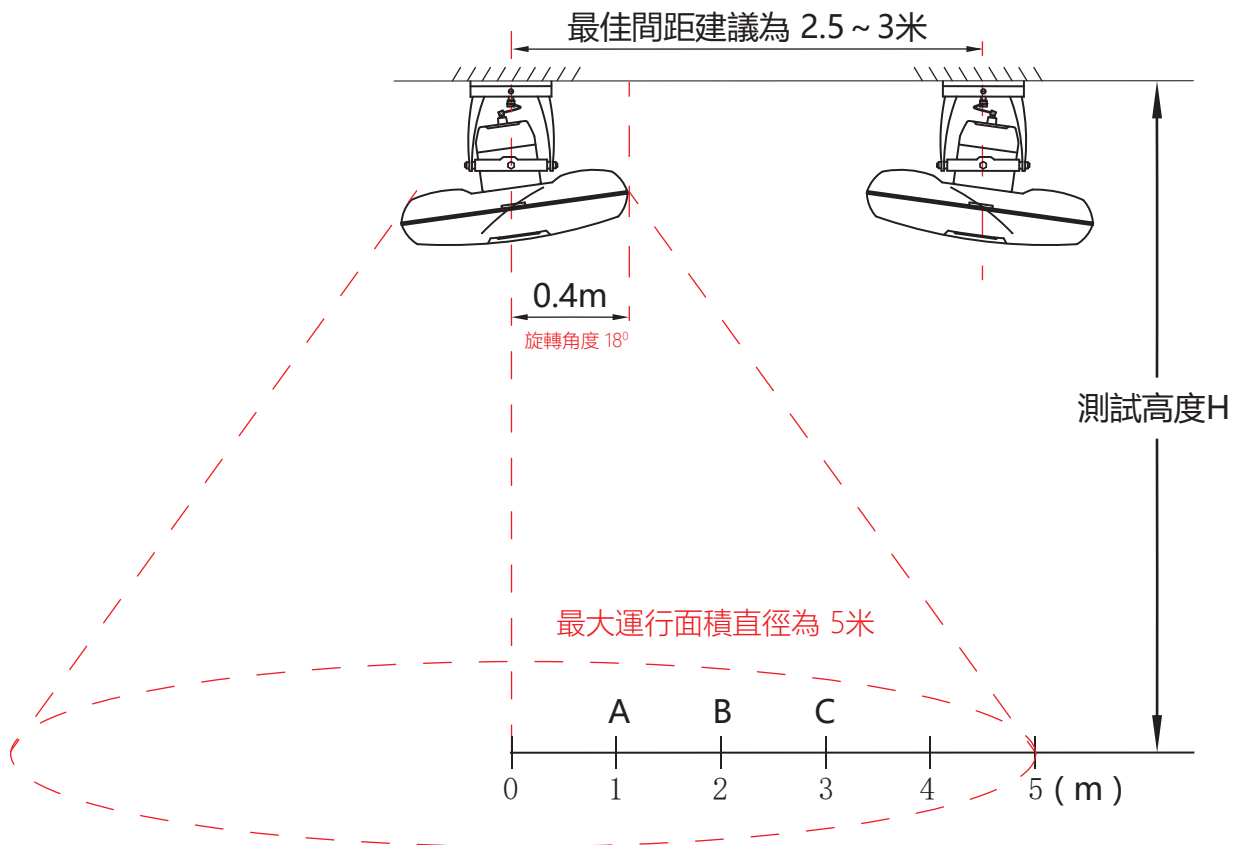
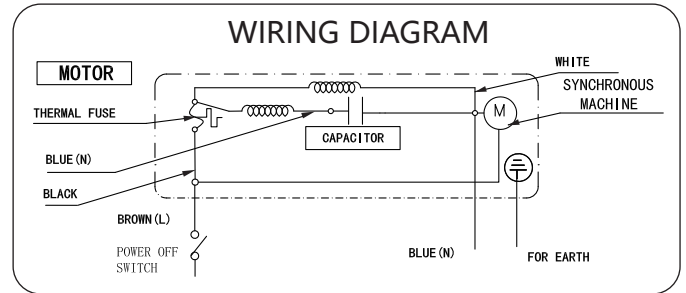
型號 (香港規格)	型號說明	扇葉直徑 inch/mm	額定電壓 V/Ph/Hz	電機功率 W	最高轉速 RPM	最高風量 m <sup>3</sup> /h	最高噪音 dB (A)
<b>FE40JA</b>	吸頂扇密網	16" / 400	220-240/1/50	110	1400	5700	51

噪音值是在距離風扇2米測量

## 產品安裝尺寸 (mm) 及維護



Model No	A	I	H	G
FE40JA	450	385	200	179



### 風扇各高度測試點的風速

單位: m/s

	FE40		FE45		FE50		FE65	
	3米	4米	3米	4米	3米	4米	3米	4米
測試高度H	3米	4米	3米	4米	3米	4米	3米	4米
測試點 A	0.99	0.9	1.21	1.1	1.32	1.2	1.54	1.4
測試點 B	1.43	1.3	2.15	1.95	2.56	2.33	1.70	1.54
測試點 C	0.66	0.6	1.89	1.72	2.13	1.94	2.59	2.35

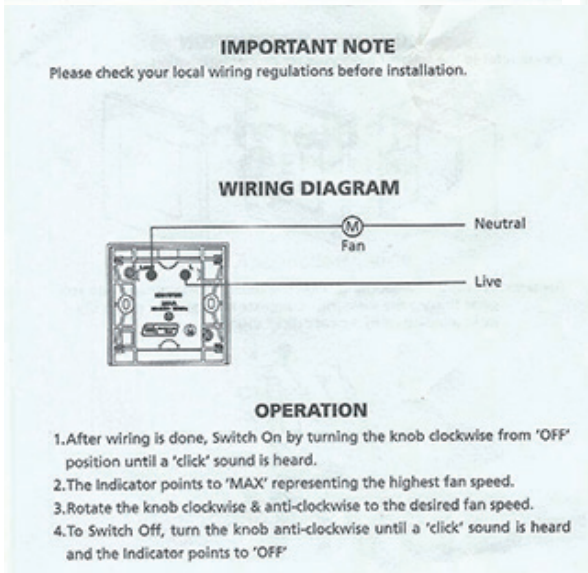
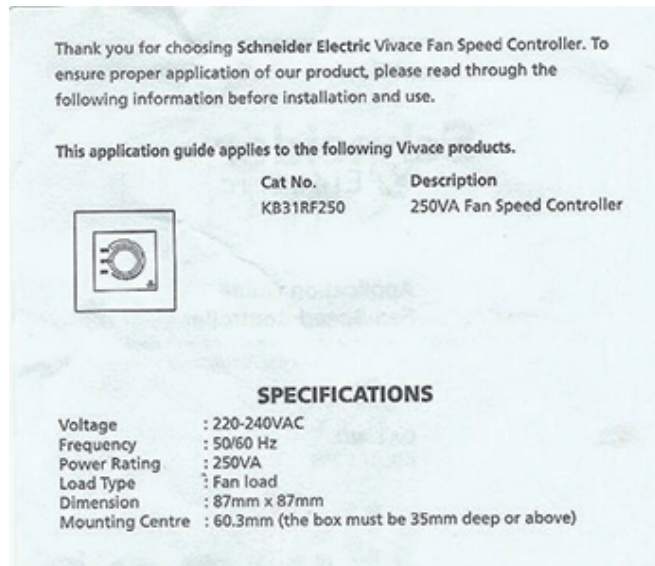
### 工程安裝使用建議

環境溫度 ≤ 45°C

	面積 (m <sup>2</sup> )	高度 (m)	建議型號 (Model)	數量 (臺)
學校課堂	36	2	FE40/FE45	4
學校禮堂	36	3	FE50	4
物流倉庫	36	4	FE65	6

## 建議使用調速器

OPTIONAL SPEED CONTROLLER ( NOT INCLUDED IN THE UNIT, CUSTOMER NEED TO PURCHASE THE CONTROLLER THEMSELVES)



### ATTENTION:

THE RATED POWER OF THE CONTROLLER MUST BE LARGER THAN 180W. OTHERWISE, THE FAN WILL BE DAMAGED !

## SAFETY PRECAUTIONS

1. Do not use under the following situations
  - 1) Near to gaseous fuel cooker .
  - 2) Place full of inflammable gas.
  - 3) Place expose to rain or water pour.
  - 4) Near insecticide, oil corrosive solvent.
  - 5) High temperature.
  - 6) High humidity .
  - 7) Near chemicals, oil, dust area.
2. Avoid continuously exposure of direct wind from the fan, It may cause discomfort.
3. Do not put your fingers into the guard or any moving part of the fan, Causing injury.
4. Make sure all screws and connection are tightly screwed and secured. Causing injury.
5. Installation must strictly follow to wiring diagram provided, Can cause electric shock, current leakage and fire if miswiring.
6. Ensure area of mounting fixture has sufficient strength, Do not fix at area exposed to strong vibration and knocking.
7. Never try to apart, repair or modify this product. Contact the dealer for repairing this product.
8. Disconnect power supply before cleaning. Otherwise it may cause electric shock.
9. Installation must be done by qualified electrician.
10. The safety wire must be always connected.
11. Do not connect this unit to power supply other than destined country rated voltage.

ZERTIFIKAT ◆ CERTIFICATE ◆ 認證證書 ◆ CERTIFICADO ◆ CERTIFICAT



Product Service

## Attestation of Conformity

No. N8A 17 10 72582 029

**Holder of Certificate:** WING TON FAN INDUSTRY LIMITED

1B Kam Shing Industrial Building  
1-11 Kwai Wing Road  
Kowloon  
HONG KONG

**Product:** Fans  
(Ceiling Fan)

**Model(s):** FE40JA, FE40JB, FE40JC, FE40JD, FE40JR, FE40JS,  
FE45JA, FE45JB, FE45JC, FE45JD, FE45JR, FE45JS,  
FE50JA, FE50JB, FE50JC, FE50JD, FE50JR, FE50JS,  
FE65JA, FE65JB, FE65JC, FE65JD, FE65JR, FE65JS

**Parameters:**

Rated Input :	220-240VAC, 50Hz; 110W, 0.52A (for FE40JA, FE40JB, FE40JC, FE40JD, FE40JR and FE40JS) 140W, 0.63A (for FE45JA, FE45JB, FE45JC, FE45JD, FE45JR and FE45JS) 150W, 0.66A (for FE50JA, FE50JB, FE50JC, FE50JD, FE50JR and FE50JS) 160W, 0.75A (for FE65JA, FE65JB, FE65JC, FE65JD, FE65JR and FE65JS)
Protection Class :	I
Degree of Protection :	IPX0

**Tested according to:** EN 60335-2-80:2003/A2:2009  
EN 60335-1:2012/A12:2017  
EN 62233:2008

This Attestation of Conformity is issued on a voluntary basis according to the Low Voltage Directive 2014/35/EU relating to electrical equipment designed for use within certain voltage limits. It confirms that the listed equipment complies with the principal protection requirements of the directive and is based on the technical specifications applicable at the time of issuance. It refers only to the particular sample submitted for testing and certification. See also notes overleaf.

**Test report no.:** 681101718201



**Date,** 2017-11-02 (Kelvin Zeng)

**CE** After preparation of the necessary technical documentation as well as the EU declaration of conformity the required CE marking can be affixed on the product. The declaration of conformity is issued under the sole responsibility of the manufacturer. Other relevant EU-directives have to be observed.

Page 1 of 1

TÜV SÜD Product Service GmbH · Zertifizierstelle · Ridlerstraße 65 · 80339 München · Germany

TUV®





Ref. Certif. No.

**SG PSB-HS-05617**

IEC SYSTEM FOR MUTUAL RECOGNITION OF TEST CERTIFICATES FOR ELECTRICAL EQUIPMENT (IECEE) CB SCHEME

## CB TEST CERTIFICATE

Product

Fans  
(Ceiling Fan)

Name and address of the applicant

**Sam Hing Cheung Fans  
And Equipment Limited**  
Flat B, 1/F., Kam Shing Industrial Building  
1-11 Kwai Wing Road  
Kwai Chung  
HONG KONG

Name and address of the manufacturer

Sam Hing Cheung Fans And Equipment Limited  
Flat B, 1/F., Kam Shing Industrial Building, 1-11 Kwai Wing Road,  
Kwai Chung, HONG KONG

Name and address of the factory

**FOSHAN SHUNDE SAM HING CHEUNG FANS AND EQUIPMENT  
LIMITED**  
No.1 Building, No.1 Road Guangda Market, Leiliu Town, Shunde  
District, 528322 Foshan, PEOPLE'S REPUBLIC OF CHINA

Ratings and principal characteristics

Rated Input : 220-240VAC, 50Hz.  
See test report for details  
Protection Class : I  
Degree of Protection : IPX0

Model/type Ref.

**FE40JA**, FE40JB, FE40JC, FE40JD, FE40JR, FE40JS, FE45JA,  
FE45JB, FE45JC, FE45JD, FE45JR, FE45JS, FE50JA, FE50JB,  
FE50JC, FE50JD, FE50JR, FE50JS, FE65JA, FE65JB, FE65JC,  
FE65JD, FE65JR, FE65JS

A sample of the product was tested and found  
to be in conformity with

IEC 60335-1:2010  
IEC 60335-1:2010/AMD1:2013  
IEC 60335-1:2010/AMD2:2016  
IEC 60335-2-80:2015

as shown in the Test Report Ref. No.  
which forms part of this certificate

211-700425-000

This CB Test Certificate is issued by the National Certification Body

CBS 072582 0037 Rev. 00

Date, 2019-09-17

( Darius Guo )

Page 1 of 2  
TÜV SÜD PSB Pte Ltd • 1 Science Park Drive • Singapore 118221



PSB Singapore



# Zertifikat

# Certificate



Zertifikat Nr. *Certificate No.*  
R 50105972

Blatt *Page*  
0001

Ihr Zeichen *Client Reference*

Unser Zeichen *Our Reference*  
05-SLE- 16009569 002

Ausstellungsdatum  
01.06.2007

*Date of Issue*  
(day/mo/yr)

## Genehmigungsinhaber *License Holder*

Xunde Electrical and Electronic  
Co., Ltd.  
Juwei Industry Zone  
Beijiao, Shunde  
Foshan, Guangdong  
P.R. China

## Fertigungsstätte *Manufacturing Plant*

Xunde Electrical and Electronic  
Co., Ltd.  
Juwei Industry Zone  
Beijiao, Shunde  
Foshan, Guangdong  
P.R. China

## Prüfzeichen *Test Mark*

Geprüft nach *Tested acc. to*  
EN 60252-1:2001



Zertifiziertes Produkt (Geräteidentifikation)  
*Certified Product (Product Identification)*

Lizenzentgelte - Einheit  
*License Fee - Unit*

Motor-Kondensator (AC Motor Capacitor)

Type Designation : CBB61 6  
Rated Voltage : AC 450V  
Class of Operation : Class A  
Rated Frequency : 50/60Hz  
Rated Capacitance : 0,47µF to 8µF  
(Refer to Appendix 1 for Details)  
Capacitance Tolerance : ±5%  
Climatic Category : 40/85/21  
Type of Termination : Tab or lead wire  
Class of Safety Protection: P2  
Type of Operation : Continuous Operation  
Self-healing Capacitor : Yes

Remark : The labelling requirements acc. to EU Directive  
2001/95 have to be observed for distribution within the EEA.

6

ANLAGE (Appendix): 1

Dem Zertifikat liegt unsere Prüf- und Zertifizierungsordnung zugrunde.  
Das Produkt entspricht den o.g. Anforderungen, die Herstellung wird überwacht.  
This certificate is based on our Testing and Certification Regulation. The product  
fulfills above mentioned requirements, the production is subject to surveillance.



Zertifizierungsstelle

TÜV Rheinland Product Safety GmbH, Am Grauen Stein, D-51105 Köln  
Tel.: (+49/221)8 06 - 13 71 e-mail: cert-validity@de.tuv.com  
Fax: (+49/221)8 06 - 39 35 http://www.tuv.com/safety

Dipl.-Ing. (FH) T. Zimmer



# Zertifikat

# Certificate



Zertifikat Nr. *Certificate No.*  
R 50105972

Blatt *Page*  
0002

Ihr Zeichen *Client Reference*

Unser Zeichen *Our Reference*  
05-YFC- 16009569 004

Ausstellungsdatum  
22.11.2013

*Date of Issue*  
(day/mo/yr)

Genehmigungsinhaber *License Holder*  
Xunde Electrical and Electronic  
Co., Ltd.  
Juwei Industry Zone  
Beijiao, Shunde  
Foshan, Guangdong  
P.R. China

Fertigungsstätte *Manufacturing Plant*  
Xunde Electrical and Electronic  
Co., Ltd.  
Juwei Industry Zone  
Beijiao, Shunde  
Foshan, Guangdong  
P.R. China

Prüfzeichen *Test Mark*

Geprüft nach *Tested acc. to*  
EN 60252-1:2011



Zertifiziertes Produkt (Geräteidentifikation)  
*Certified Product (Product Identification)*

Lizenzentgelte - Einheit  
*License Fee - Unit*

Motor Capacitor (AC Motor Capacitor)

as page 0001

Change

Test Requirement : see above

Remark : The labelling requirements acc. to EU Directive 2001/95 have to be observed for distribution within the EEA. The installation has to be carried out according to installation instruction accompanying the products.



Zertifizierungsstelle

G. Yin

Dem Zertifikat liegt unsere Prüf- und Zertifizierungsordnung zugrunde und es bestätigt die Konformität des Produktes mit den oben genannten Standards und Prüfgrundlagen. Zusätzliche Anforderungen in Ländern, in denen das Produkt in Verkehr gebracht werden soll, müssen zusätzlich betrachtet werden. Die Herstellung des zertifizierten Produktes wird überwacht.

This certificate is based on our Testing and Certification Regulation and states the conformity of the product with the standards and testing requirements as indicated above. Any additional requirements in countries where the product is going to be marketed have to be considered additionally. The manufacturing of the certified product is subject to surveillance.

TÜV Rheinland LGA Products GmbH - Tillystraße 2 - 90431 Nürnberg  
Tel.: (+49/221)8 06 - 13 71 e-mail: cert-validity@de.tuv.com  
Fax: (+49/221)8 06 - 39 35 http://www.tuv.com/safety



# Zertifikat

# Certificate



Zertifikat Nr. *Certificate No.*  
R 50105972

Blatt *Page*  
0004

Ihr Zeichen *Client Reference*

Unser Zeichen *Our Reference*  
05-YFC- 16009569 007

Ausstellungsdatum  
13.01.2014

*Date of Issue*  
(day/mo/yr)

**Genehmigungsinhaber *License Holder***

Xunde Electrical and Electronic  
Co., Ltd.  
Juwei Industry Zone  
Beijiao, Shunde  
Foshan, Guangdong  
P.R. China

**Fertigungsstätte *Manufacturing Plant***

Xunde Electrical and Electronic  
Co., Ltd.  
Juwei Industry Zone  
Beijiao, Shunde  
Foshan, Guangdong  
P.R. China

**Prüfzeichen *Test Mark***



Type Approved  
Safety  
Regular Production  
Surveillance

www.tuv.com  
ID 2000000000

**Geprüft nach *Tested acc. to***

EN 60252-1:2011  
IEC 60252-1:2010

**Zertifiziertes Produkt (Geräteidentifikation)**  
*Certified Product (Product Identification)*

**Lizenzentgelte - Einheit**  
*License Fee - Unit*

Motor Capacitor (AC Motor Capacitor)

as pages 0001-0002

Change

Test requirement : see above

Addition

Type Designation : CBB61-A  
Rated Voltage : AC 250/400V

6

Remark : The labelling requirements acc. to EU Directive 2001/95 have to be observed for distribution within the EEA. The installation has to be carried out according to installation instruction accompanying the products.



6

Dem Zertifikat liegt unsere Prüf- und Zertifizierungsordnung zugrunde und es bestätigt die Konformität des Produktes mit den oben genannten Standards und Prüfgrundlagen. Zusätzliche Anforderungen in Ländern, in denen das Produkt in Verkehr gebracht werden soll, müssen zusätzlich betrachtet werden. Die Herstellung des zertifizierten Produktes wird überwacht. This certificate is based on our Testing and Certification Regulation and states the conformity of the product with the standards and testing requirements as indicated above. Any additional requirements in countries where the product is going to be marketed have to be considered additionally. The manufacturing of the certified product is subject to surveillance.

Zertifizierungsstelle

TÜV Rheinland LGA Products GmbH - Tillystraße 2 - 90431 Nürnberg  
Tel.: (+49/221)8 06 - 13 71 e-mail: cert-validity@de.tuv.com  
Fax: (+49/221)8 06 - 39 35 http://www.tuv.com/safety

G. Yin