

# FC 系列商務吸頂風扇

- 備有 400, 450, 及 500mm 三款尺寸。
- 風扇可360度轉向，並可簡易調校送風角度，立體循環送風。
- 所有型號均按 IEC60335-2-80 之標準檢測，並已領有歐盟安全認證。
- 金屬風扇網外表經靜電噴塗處理，美觀耐用。
- 扇葉採用鋁合金板沖壓，平衡技術校正，高速運轉平穩不變形。
- E 級絕緣，內置恆溫器保護裝置，同步電機搖擺，節能靜音。
- 單相銅芯電機，電容器輔助起動，1/2/3 檔風隨意調節。
- 功率因數 (Power Factor) =0.97。



疏網

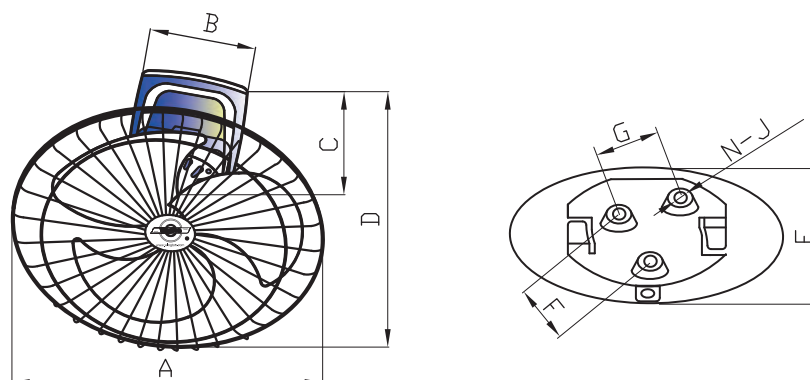
密網

## 性能參數表

型號 (香港規格)	型號說明	扇葉直徑 inch/mm	額定電壓 V/Ph/Hz	電機功率 W	最高轉速 RPM	最高風量 m <sup>3</sup> /h	最高噪音 dB (A)
FC40	疏網吸頂扇	16" / 400	220-240/1/50	110	1400	4500	56
FC45		18" / 450		140		4900	58
FC50		20" / 500		150		5300	60
FC40JA	密網吸頂扇	16" / 400	220-240/1/50	110	1400	4500	56
FC45JA		18" / 450		140		4900	58
FC50JA		20" / 500		150		5300	60

噪音值是在距離風扇2米測量

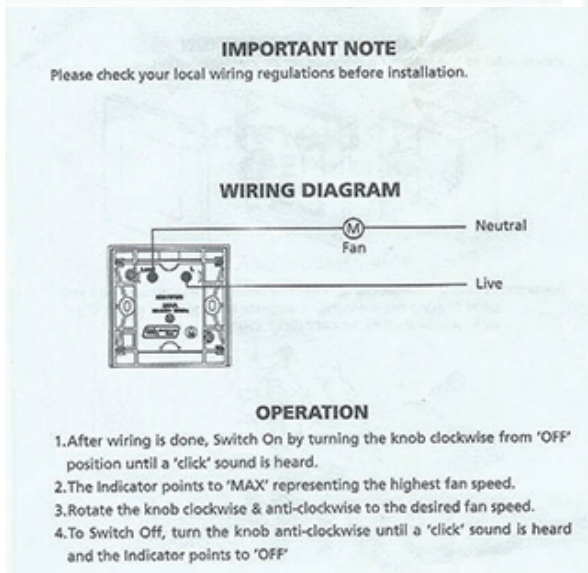
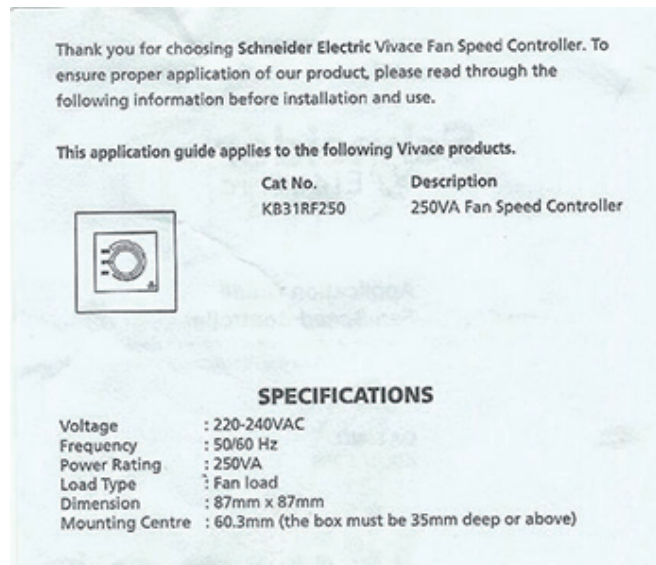
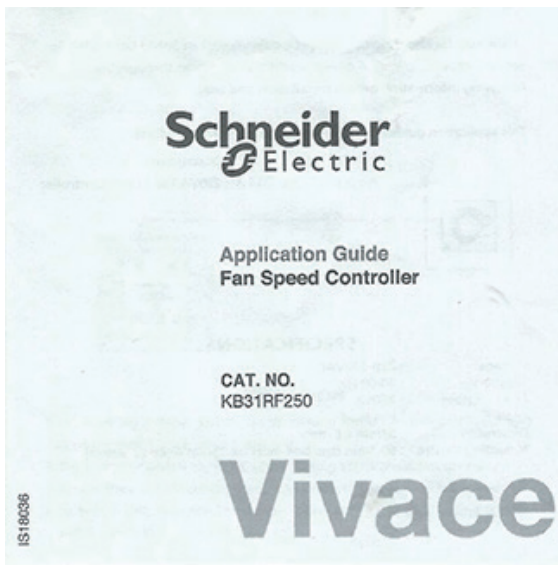
## 安裝尺寸 (mm)



Model No	A	B	C	D	E	F	G	N-J	G.W(kg)
FC40	450	238	200	385	140	57	50	3-Φ6.5	6.0
FC40JA									6.2
FC45	508	238	200	392	140	57	50	3-Φ6.5	7.3
FC45JA									6.5
FC50	565	238	200	392	140	57	50	3-Φ6.5	8.5
FC50JA									7.0

## 建議使用調速器

OPTIONAL SPEED CONTROLLER ( NOT INCLUDED IN THE UNIT, CUSTOMER NEED TO PURCHASE THE CONTROLLER THEMSELVES)



### ATTENTION:

THE RATED POWER OF THE CONTROLLER MUST BE LARGER THAN 180W. OTHERWISE, THE FAN WILL BE DAMAGED !

## SAFETY PRECAUTIONS

1. Do not use under the following situations
  - 1) Near to gaseous fuel cooker .
  - 2) Place full of inflammable gas.
  - 3) Place expose to rain or water pour.
  - 4) Near insecticide, oil corrosive solvent.
  - 5) High temperature.
  - 6) High humidity .
  - 7) Near chemicals, oil, dust area.
2. Avoid continuously exposure of direct wind from the fan, It may cause discomfort.
3. Do not put your fingers into the guard or any moving part of the fan, Causing injury.
4. Make sure all screws and connection are tightly screwed and secured. Causing injury.
5. Installation must strictly follow to wiring diagram provided, Can cause electric shock, current leakage and fire if miswiring.
6. Ensure area of mounting fixture has sufficient strength, Do not fix at area exposed to strong vibration and knocking.
7. Never try to apart, repair or modify this product. Contact the dealer for repairing this product.
8. Disconnect power supply before cleaning. Otherwise it may cause electric shock.
9. Installation must be done by qualified electrician.
10. The safety wire must be always connected.
11. Do not connect this unit to power supply other than destined country rated voltage.

TÜV SÜD  
ZERTIFIKAT ◆ CERTIFICATE ◆ 認證書 ◆ CERTIFICADO ◆ CERTIFICAT



Product Service

# Attestation of Conformity

No. E8A 072582 0021 Rev. 01

**Holder of Certificate:** **Sam Hing Cheung Fans  
And Equipment Limited**  
Flat B, 1/F., Kam Shing Industrial Building  
1-11 Kwai Wing Road  
Kwai Chung  
HONG KONG

**Name of Object:** **Fans  
(Ceiling Fan)**

This Attestation of Conformity is issued on a voluntary basis according to the Directive 2014/30/EU relating to electromagnetic compatibility. It confirms that the listed apparatus complies with all essential requirements of the directive and is based on the technical specifications applicable at the time of issuance. It refers only to the particular sample submitted for testing and certification. See also notes overleaf.

**Test report no.:** 687101426502

**Date,** 2019-07-01

( Paul Yu )

Page 1 of 2

After preparation of the necessary technical documentation as well as the EU Declaration of conformity the required CE marking can be affixed on the product. That Declaration of conformity is issued under the sole responsibility of the manufacturer. Other relevant EU-directives have to be observed.

TÜV SÜD Product Service GmbH • Certification Body • Ridlerstraße 65 • 80339 Munich • Germany







Product Service

## Attestation of Conformity

No. E8A 072582 0021 Rev. 01

**Model(s):** FC50JA, FC45JA, FC40JA,  
FC40, FC45, FC50

**Trade name:** Wing Ton

**Wing Ton**

### Description of Object:

Rated Input: 220-240VAC, 50 Hz,  
150W / 0.66A (for FC50JA and FC50);  
140W / 0.63A (for FC45JA and FC45);  
110W / 0.52A (for FC40JA and FC40)  
Protection Class: I

### Tested according to:

EN 55014-1:2006/A2:2011  
EN 55014-1:2017  
EN 55014-2:2015  
EN 61000-3-2:2014  
EN 61000-3-3:2013

Page 2 of 2

After preparation of the necessary technical documentation as well as the EU Declaration of conformity the required CE marking can be affixed on the product. That Declaration of conformity is issued under the sole responsibility of the manufacturer. Other relevant EU-directives have to be observed.

TÜV SÜD Product Service GmbH • Certification Body • Ridlerstraße 65 • 80339 Munich • Germany

## IEC SYSTEM FOR MUTUAL RECOGNITION OF TEST CERTIFICATES FOR ELECTRICAL EQUIPMENT (IECEE) CB SCHEME

**CB TEST CERTIFICATE**

## Product

Fans  
(Ceiling Fan)

## Name and address of the applicant

**Sam Hing Cheung Fans  
And Equipment Limited**  
Flat B, 1/F., Kam Shing Industrial Building  
1-11 Kwai Wing Road  
Kwai Chung  
HONG KONG

## Name and address of the manufacturer

Sam Hing Cheung Fans And Equipment Limited  
Flat B, 1/F., Kam Shing Industrial Building, 1-11 Kwai Wing Road,  
Kwai Chung, HONG KONG

## Name and address of the factory

**FOSHAN SHUNDE SAM HING CHEUNG FANS AND EQUIPMENT  
LIMITED**  
No.1 Building, No.1 Road Guangda Market, Leiliu Town, Shunde  
District, 528322 Foshan, PEOPLE'S REPUBLIC OF CHINA

## Ratings and principal characteristics

Rated Input : 220-240VAC, 50 Hz,  
150W / 0.66A (for FC50JA and FC50);  
140W / 0.63A (for FC45JA and FC45);  
110W / 0.52A (for FC40JA and FC40)  
Protection Class : I  
Degree of Protection : IPX0

## Model/type Ref.

FC50JA, FC45JA, FC40JA, FC40, FC45, FC50

A sample of the product was tested and found  
to be in conformity withIEC 60335-1:2010  
IEC 60335-1:2010/AMD1:2013  
IEC 60335-1:2010/AMD2:2016  
IEC 60335-2-80:2015as shown in the Test Report Ref. No.  
which forms part of this certificate

211-700454-000

This CB Test Certificate is issued by the National Certification Body

CBS 072582 0034 Rev. 00

Date, 2019-06-26



( Shaochang Liu )

Page 1 of 2

TÜV SÜD PSB Pte Ltd • 1 Science Park Drive • Singapore 118221



PSB Singapore